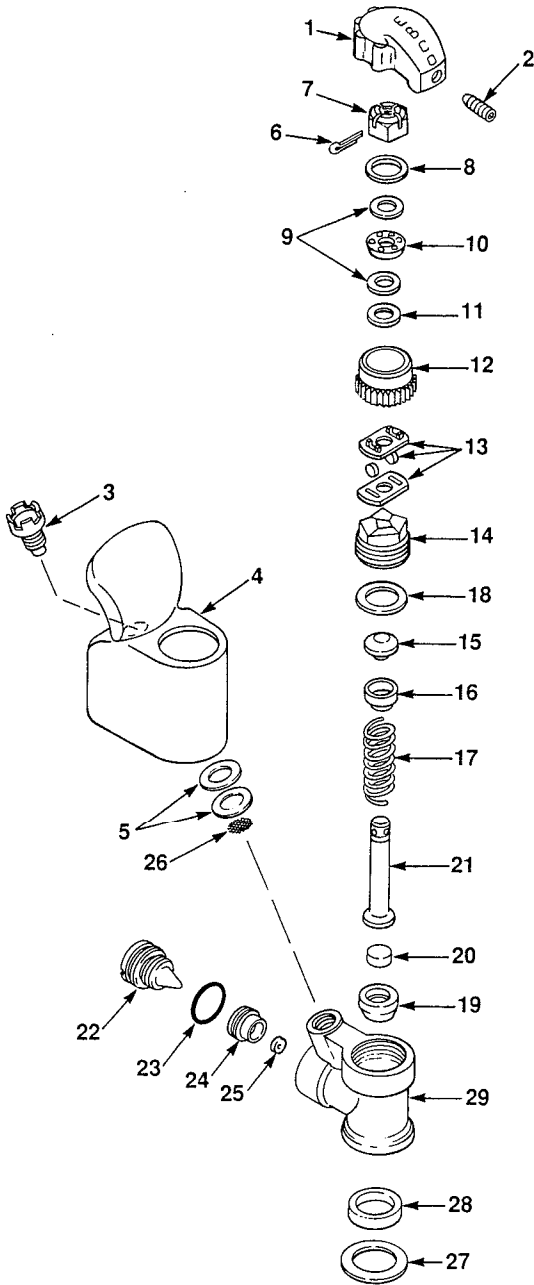


OASIS MODEL 12000 A VALVE

HAND OPERATED

030774-006



ORDER BY THIS PART NUMBER & DESCRIPTION

FIG. NO.	DESCRIPTION	OASIS PART NO.	DESCRIPTION
1.	Handle	013429	Handle Ass'y, Valve (Fig. 1 and 2)
2.	Set Screw		
3.	Nozzle	030562-001-SP	Nozzle & Straightener Ass'y
4.	Guard, Plastic Chrome	026316-007	Guard
5.	Washer	028706-012	Washer
6.	Cotter Pin	013059-005	Stem Ass'y (Fig. 6 through 21)
7.	Nut		
8.	Washer, Felt		
9.	Washer, Thrust		
10.	Bearing Ass'y		
11.	Washer, Felt		
12.	Bushing		
13.	Bearing Ass'y		
14.	Nut		
15.	Packing		
16.	Gland		
17.	Spring	028706-033	
18.	Washer	030007-001	
19.	Retainer		
20.	Valve Seat		
21.	Stem		
22.	Adjusting Needle	030505-001	Adjusting Needle
23.	O-Ring	030858-103	O-Ring
24.	Flow Washer Retainer	030504-002	Flow Washer Retainer
25.	Flow Washer	030028-002	Flow Washer
26.	Screen, Nozzle	030560-001	Screen, Nozzle
27.	Gasket	028706-013	Washer, Friction
28.	Gasket	028706-006	Gasket, Valve Body
29.	Valve, Body Ass'y	030772-003	Valve Body Ass'y (Fig. 6 through 25)

Instructions To Order:

1. Determine the part required to repair your valve—use the part number and the description following it when ordering. *Do not use the figure number.*
2. *Parts that are bracketed are sold as assemblies only.*
3. The parts listed are available from most OASIS distributors, approved service centers, or the factory.

Adjustment Instructions:

1. To remove bubbler guard (Fig. 4), loosen set screw in handle (Fig. 1, 2) and remove handle. Use screwdriver to remove nozzle assembly (Fig. 3). Lift off bubbler guard.
2. Stream regulation - stream height should be 5 1/2". To regulate, with the bubbler guard removed, replace the nozzle ass'y in the valve body (Fig. 29). Turn the

adjusting needle (Fig. 22) clockwise to lower stream or counter-clockwise to raise stream.

3. After adjustment is completed, remove nozzle ass'y, place plastic washers (Fig. 5) on valve nozzle hole, replace bubbler guard, replace nozzle and install handle ass'y.
4. A clearance of 1/32" should be allowed between the handle and bubbler guard on the side nearest the nozzle. Tighten set screw only enough to prevent removal. Over-tightening may cause handle to crack.

Note:

If you should re-assemble Figures 22 thru 25 at any time, make sure you install flow washer (Fig. 25) with the letters or numbers on it visible after assembled in flow washer retainer (Fig. 24).