



Illustrated Parts Breakdown

**Models: P8AC-H300
P8ACSL-H310**



SPECIFICATIONS:

Models: P8AC-H300

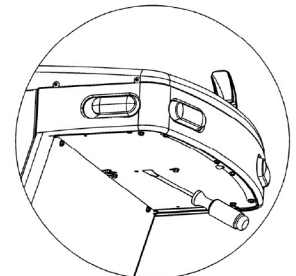
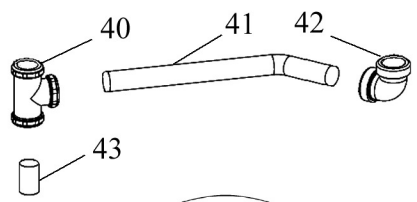
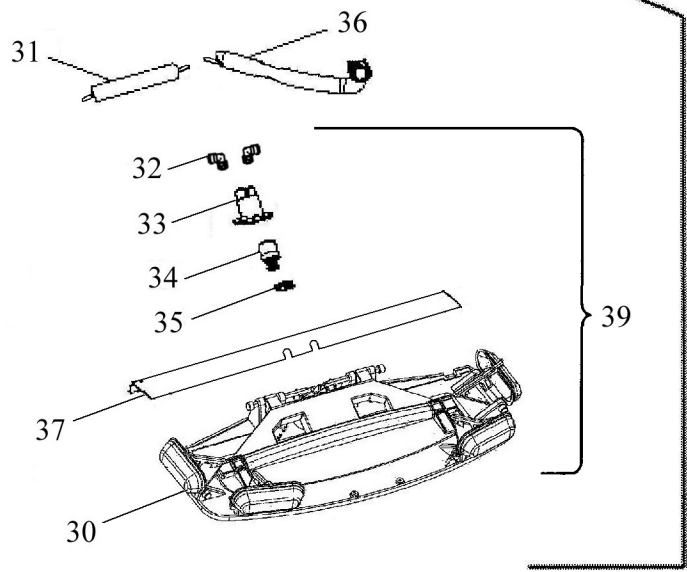
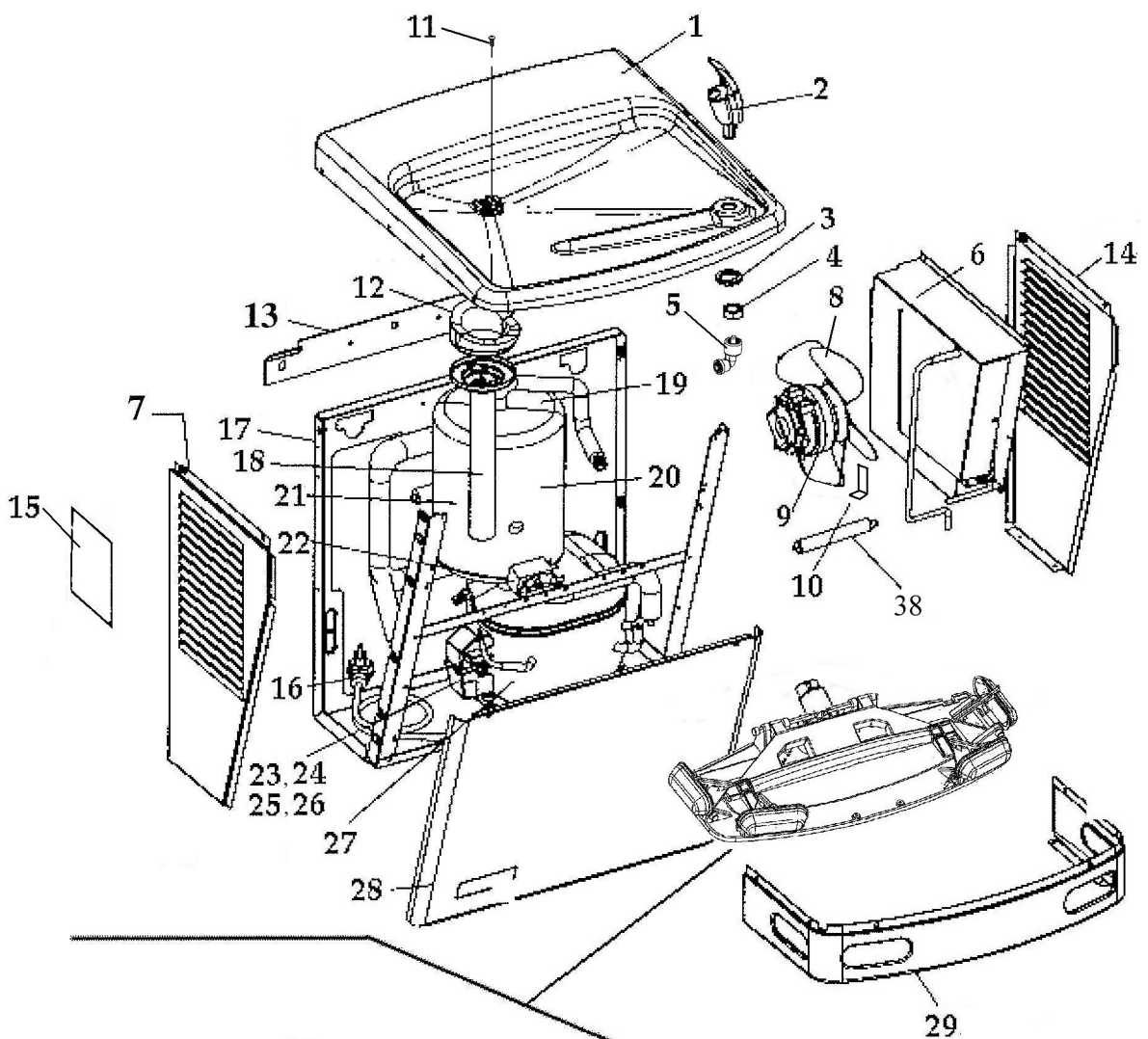
Voltage	115VAC±10%/1 PH/60 Hertz
Size	17 5/8" W, 18 5/8" D, 18 29/32" H
Shipping Weight (Approx)	59 lbs.
Cold Water Capacity*	8 GPH
Compressor	1/4 hp
Compressor (Full Load)	4.4 amps
Refrigerant	134a
Refrigerant Charge	3.95 OZ

Models: P8ACSL-H310

Voltage	115VAC±10%/1 PH/60 Hertz
Size	35 1/4" W, 18 5/8" D, 24 29/32" H
Shipping Weight (Approx)	84 lbs.
Cold Water Capacity*	8 GPH
Compressor	1/4 hp
Compressor (Full Load)	4.4 amps
Refrigerant	134a
Refrigerant Charge	3.95 OZ

*Room Temperature 90°F; Supply Water Temperature 80°F; Drinking Water Temperature 50°F.

Specifications subject to change without notice.



To adjust stream height, insert a 1/8" Flat blade screwdriver into the slotted hole as shown. The screwdriver will engage the stream height adjuster in the cartridge plunger. Turn clockwise to increase stream height, or ccw to reduce stream height.

Item#	Description	P8AC-H300	P8ACS-H310	PACS-011
1	Top.....	031714-101	031714-101	031714-101
2	Bubbler.....	035607-108	035607-108	035607-108
3	Washer, Undertop.....	028706-030	028706-030	028706-030
4	Locknut.....	026824-019	026824-019	026824-019
5	Bubbler Nut W/JG.....	036026-001	036026-001	036026-001
6	Condenser.....	031766-201	031766-201	N/A
7	Side Panel, Left Sandstone.....	035080-009	035080-309	035080-009
	Side Panel, Left Greystone.....	035080-001	035080-301	035080-001
	Side Panel, Left Stainless Steel.....	035080-010	035080-310	035080-010
8	Blade, Fan.....	024033	024033	N/A
9	Motor, Fan.....	027354-036	027354-036	N/A
10	Bracket, Fan Motor.....	036478-001	036478-001	N/A
11	Drain Screw.....	036049-002	036049-002	036049-002
12	Waste Gasket.....	031756-002	031756-002	031756-002
13	Hanger Bracket.....	031363-002	031363-002	031363-002
14	Side Panel, Right Sandstone.....	035081-009	035081-009	035081-309
	Side Panel, Right Greystone.....	035081-001	035081-001	035081-301
	Side Panel, Right Stainless Steel.....	035081-010	035081-010	035081-310
15	Patch Plate, Sandstone.....	N/A	036142-009	036142-009
	Patch Plate, Greystone.....	N/A	036142-001	036142-001
	Patch Plate, Stainless Steel.....	N/A	036142-010	036142-010
16	Service Cord.....	026540-045	026540-045	N/A
17	Frame.....	035089-001	035089-001	035089-001
18	Waste Assy.....	036011-001	036011-002	036009-002
19	Insulation Right Cooling Tank.....	035088-001	035088-001	N/A
20	Insulation Left Cooling Tank.....	035088-002	035088-002	N/A
21	Cooling Tank, Insulated.....	033469-055-SP	033469-055-SP	N/A
22	Cold Control.....	027040-039	027040-039	N/A
23	Relay.....	036056-003	036056-003	N/A
24	Overload.....	036055-003	036055-003	N/A
25	Start Capacitor - 60 MFD.....	027956-008	027956-008	N/A
26	Run Capacitor - 25 MFD.....	027956-009	027956-009	N/A
27	Compressor Assy.....	036115-001	036115-001	N/A
28	Front Panel, Sandstone.....	035079-009	035079-009	035079-009
	Front Panel, Greystone.....	035079-001	035079-001	035079-001
	Front Panel, Stainless Steel.....	035079-010	035079-010	035079-010
29	Front Nosepiece, Sandstone.....	035077-009	035077-009	035077-009
	Front Nosepiece, Greystone.....	035077-001	035077-001	035077-001
	Front Nosepiece, Stainless Steel.....	035077-010	035077-010	035077-010
30	Activation Assy.....	035412-004	035412-004	035412-004
31	Waterline, Tank to Valve.....	035504-011-SP	035504-011-SP	035503-001
	Waterline, Inlet to Valve or Tank.....	035504-010-SP	035504-010-SP	N/A
32	Union Elbow Fitting JG.....	028481-101	028481-101	028481-101
33	Cartridge Holder.....	035990-001	035990-001	035990-001
34	Cartridge.....	029967-002	029967-002	029967-002
35	Retaining Nut, Cartridge.....	A020957	A020957	A020957
36	Waterline, Tank or Valve to Bubbler.....	035504-013-SP	035504-013-SP	035504-013-SP
37	Shelf.....	035078-002	035078-002	035078-002
38	Drier.....	034343-003	034343-003	N/A
39	Activation Shelf.....	035092M101	035092M101	035092M101
40	Waste Tee.....	N/A	A020968	A020968
41	Waste Arm Assy.....	N/A	026980-004	026980-004
42	Waste Elbow.....	N/A	A020967	A020967
43	Waste Extension Tube.....	N/A	036010-016	036010-016
Parts Not Shown				
	Strainer, In-Line.....	033264-003	033264-003	033264-003

