



Illustrated Parts Breakdown

Model: **POU1CCTHS-HI001**



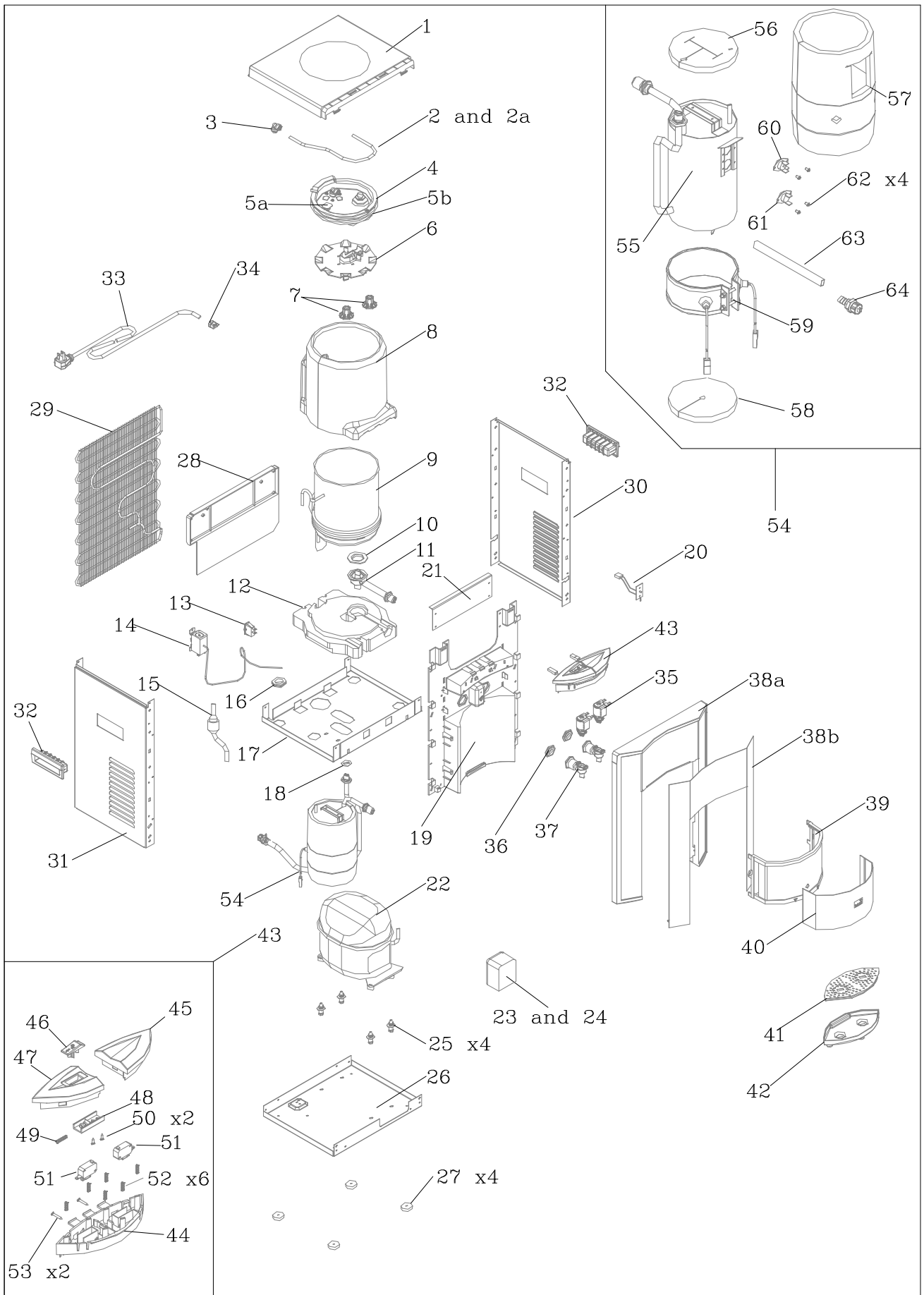
SPECIFICATIONS:

Model: POU1CCTHS-HI001

Voltage	115VAC±10%/1 PH/60 Hertz
Size	17 7/8"H, 12 1/2"W, 14" D
Shipping Weight (Approx)	35 lbs.
Cold Water Capacity*	0.4 GPH
Compressor	1/20 hp
Compressor (Full Load)	5.4 amps
Refrigerant	134a
Refrigerant Charge	1.1 oz.

*A.R.I. Ratings: Room Temperature 90°F; Supply Water Temperature 80°F; Drinking Water Temperature 50°F.

Specifications subject to change without notice.



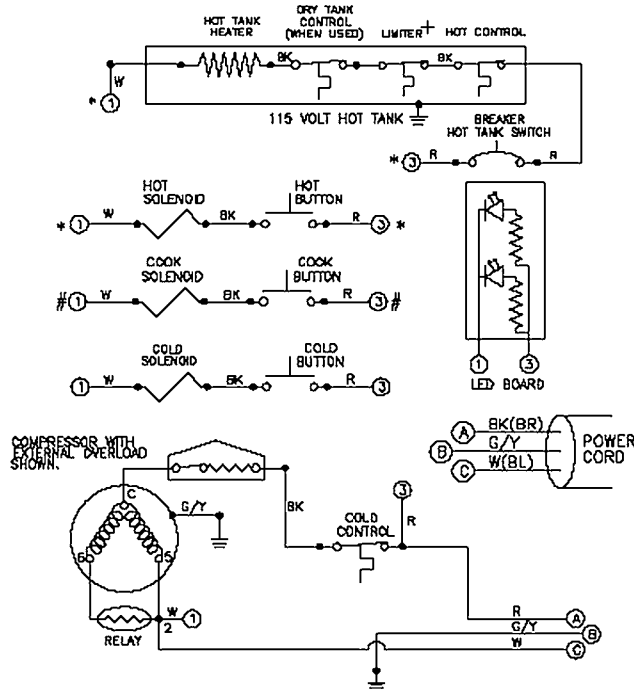
POU1CCT Model Cooler

POUICCT 115V

NO.	DESCRIPTION	POUICCT
1	Top, POU (Non Filter)	034901-001
2	Tubing, Parlex 1/4 OD	029959-002
2a	Strainer, In-line	033264-002
3	Ftg, PP Union Elbow	028481-101
4	Mechanical float assy	033394-001
5a	Filter Assy	031823-002
5b	Gasket	033353-002
6	Baffle	030914-001
7	Fitting, Cooling tank	020485
8	Insulation , Reservoir Modified	034809-001
9	Reservoir Assy	034808-001
10	Gasket, Water Outlet Tube	027139
11	Tube, Water Outlet	020484-004
12	Insulation, Shelf	033188-001
13	HT rocker switch	029545-005
14	Cold, Control	027040-022
15	Tube, Hot tank vent	034813-001
16	Grommet	034806-001
17	Shelf, Metal	034811-001
18	Gasket, Heating Tank	027965-001
19	Front panel	034789-001
20	Led PCB Board 110V	034810-001
21	Support Bracket, Top	034967-001
22	Compressor 110V, Huayi AES-25-DS	034549-101
23	Compressor Relay QP2-4.7	036056-001
24	Compressor Overload B60-125	036055-001
25	Compressor bolt kit	034790-001
26	Metal Base	034814-001
27	Foot	034816-001
28	Rear Cover	034823-001
29	Condenser Static	034824-001
30	Side Panel RH	034818-001
31	Side Panel LH	034817-001
32	Handle	034821-001
33	Cord Assy Power Supply	026540-047
34	Clip cable	018156-001
35	Solenoid Operator 110V	034892-001
36	Gasket Faucet BLK	033190-005
37	Solenoid body	034893-001
38	Front Fascia assembly	034889-001
38a	Aluminum holder (Not sold separately)	034799-001
38b	Aluminum Trim (Not sold separately)	034807-001
39	Faucet cover chassis	034796-001
40	Faucet cover fascia	034797-001
41	Drip Tray Grille Chromed	034890-001
42	Drip Tray	034800-001
43	Button Assembly	034870-001
44	Switch Holder	034871-001
45	Button, Cold Chrome	034872-001
46	Button Safety Chromed	034875-001
47	Button, Hot Chromed	034874-001
48	Slide, Safety Button	034877-001
49	Spring, Safety	034812-002
50	Screw, Pan Hd Tapping	026630-051
51	Switch, Micro	034615-002
52	Spring, Button	034812-001
53	Self tapping screw	026630-050
54	Hot tank Assy Complete 110V	034793-001
55	Hot Tank Assy	034805-001
56	Insulation, Hot Tank Top	034803-001
57	Insulation, Hot Tank Body	034803-003
58	Insulation, Hot Tank Bottom	034803-002
59	Heater Element 110V	035523-001
60	Thermostat, Hot 86C	033588-004
61	Heat limiter, 95C automatic reset	033588-003
62	Screw, Pan Hd Machine	026650-020
63	Drain Tube	034802-001
64	Drain Valve Assy	034794-001

Electrical Diagram

POU1CCTHS-HI001



- - TERMINAL CONNECTION
- * NOTE: BALLOONED NUMBERS ARE ONLY APPLICABLE TO HOT MODEL UNITS.
- # NOTE: BALLOONED NUMBERS ARE ONLY APPLICABLE TO COOK MODEL UNITS.
- + LIMITER IS RESETTABLE ON SOME MODELS.

OASIS International

222 East Campus View Blvd. - Columbus, OH 43235 U.S.A.

614/861-1350 - Fax: 614/322-4557

www.oasiscoolers.com

www.oasis-parts.com