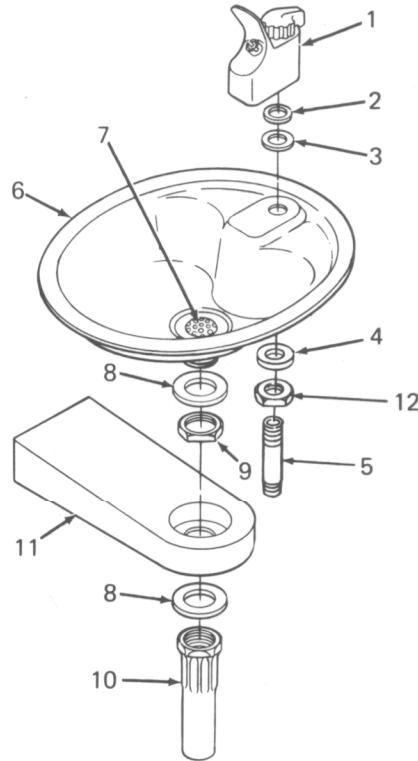


# ILLUSTRATED PARTS BREAKDOWN



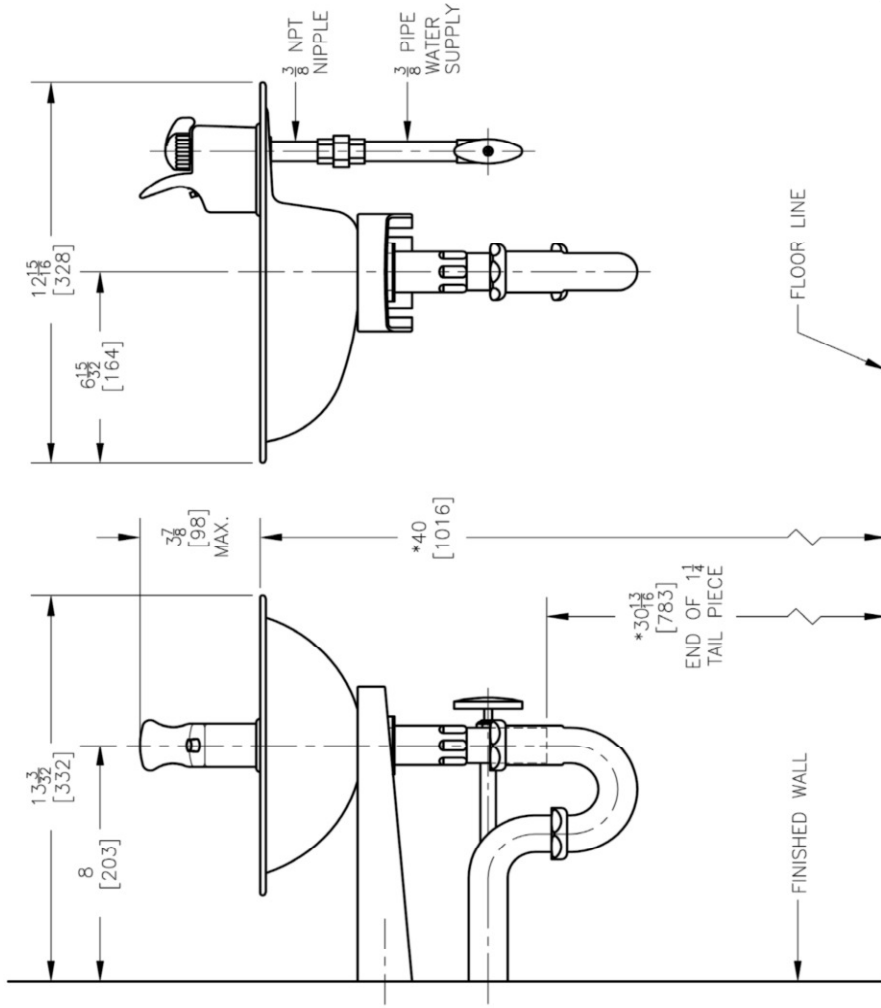
## BRACKET MOUNTED DRINKING FOUNTAIN MODELS: F120 DF-120-001 FLF120 FLF120-001



### PARTS LIST

ITEM NO.	DESCRIPTION	
1	12000A Valve .....	030774-006
2	Valve Body Gasket .....	028706-006
3	Friction Gasket .....	028706-013
4	Gasket .....	028706-001
5	Nipple .....	029582-001
6	Pedestal Basin .....	029579-001
7	Strainer Assembly .....	024207
8	Strainer Gasket (2 Required) .....	028706-009
9	Strainer Nut .....	024459
10	Waste Tail Piece .....	019915
11	Basin Bracket - Painted .....	024950
12	Lock Nut .....	023347

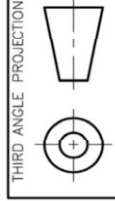
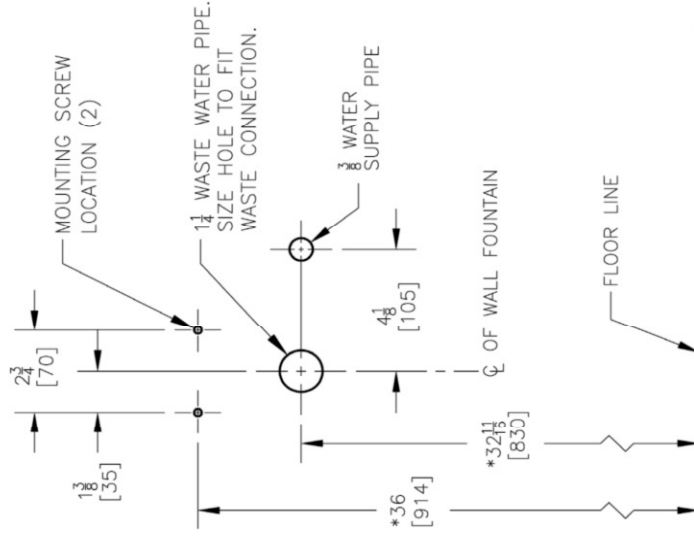
# DIMENSIONAL DRAWING



### NOTES:

1. TRAP, FIXTURE STOP VALVE, 3/8 WATER SUPPLY PIPES, AND UNION NOT FURNISHED WITH DRINKING FOUNTAIN.
- \*2. RECOMMENDED ADULT HEIGHT INSTALLATION SHOWN. ADJUST VERTICAL DIMENSIONS AS REQUIRED TO COMPLY WITH FEDERAL, STATE AND LOCAL CODES.
3. ALL DIMENSIONS ARE IN INCHES. DIMENSIONS IN BRACKETS [ ] ARE IN MILLIMETERS.
4. THE FOLLOWING STATES REQUIRE A LICENSED PLUMBER TO INSTALL FOUNTAIN; AR, GA, MA, MI, OK, RI, SC, SD, TX, VT AND WI. CA, KS, MN, NM, AND OR ALLOW FOR A STATE REGISTERED INSTALLER OR CONTRACTOR AS WELL. STATE AND LOCAL PLUMBING CODES MAY PROHIBIT THE USE OF SADDLE TAPPING VALVES FOR WATER LINE CONNECTION IN SOME APPLICATIONS. ALL CONNECTIONS MUST CONFORM TO APPLICABLE PLUMBING CODES.

# ROUGHING-IN DRAWING



ROUGHING-IN  
AND  
DIMENSIONAL DRAWING