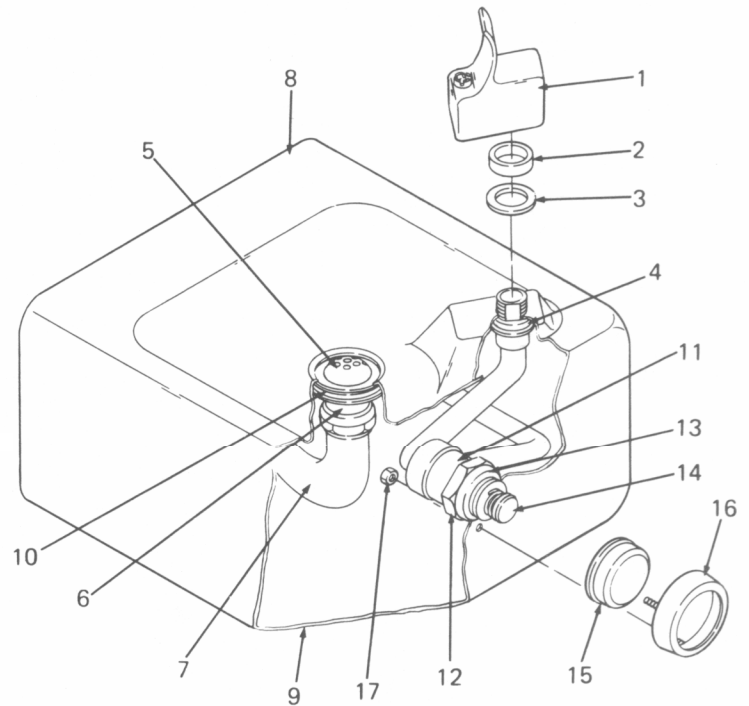


ILLUSTRATED PARTS BREAKDOWN



ON-A-WALL DRINKING FOUNTAIN MODELS:

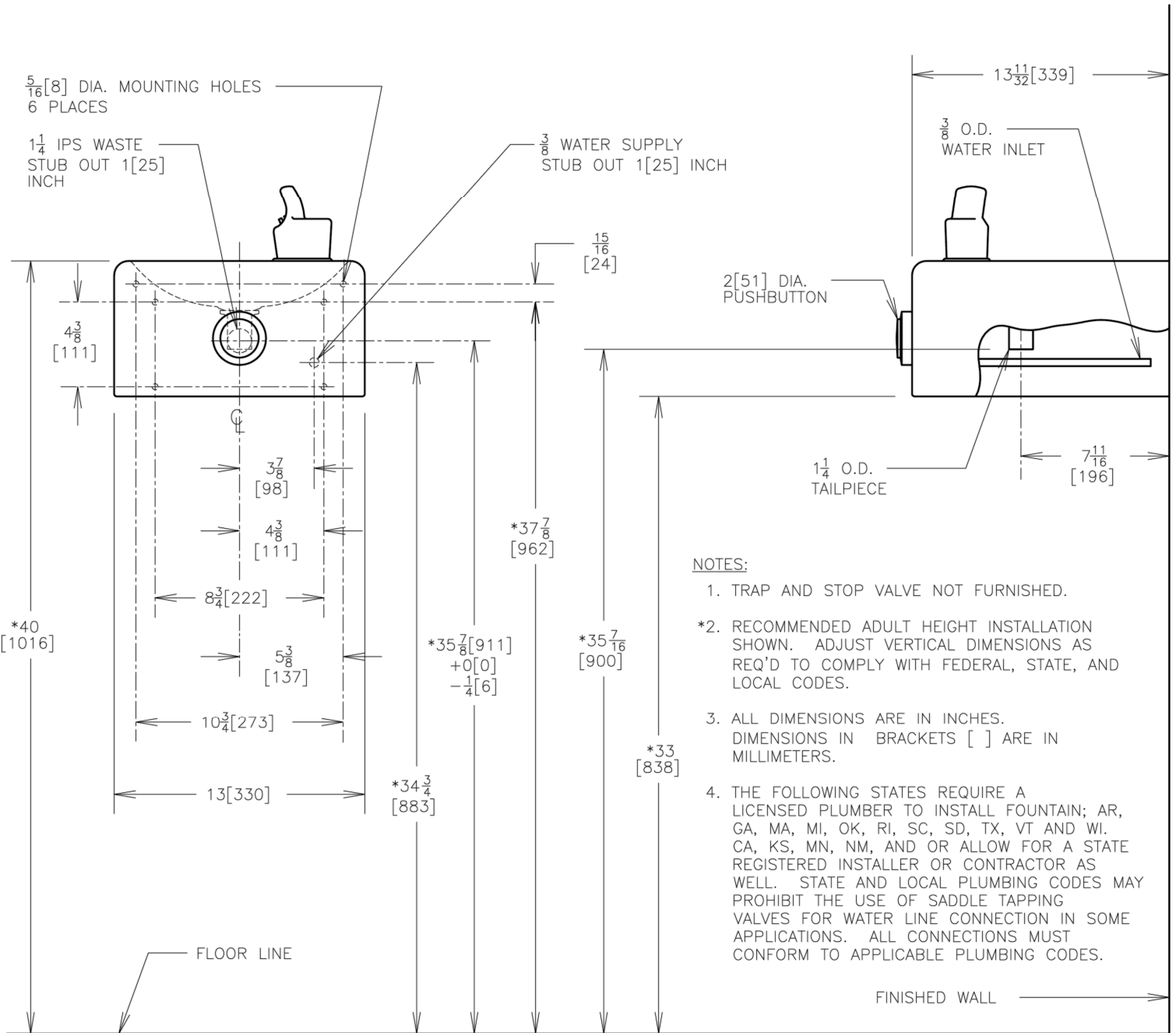
F110PM, FLF110PM, FLF110PM-001
F140PM, FLF140PM, FLF140PM-001



PARTS LIST

ITEM NO.	DESCRIPTION	F110PM	F140PM
		FLF110PM FLF110PM-001	FLF140PM FLF140PM-001
1	12000A Bubbler Valve, NR CF	030774-025	030774-025
2	Valve Body Gasket	028706-006	028706-006
3	Friction Washer	028706-013	028706-013
4	Lower Washer	028706-001	028706-001
5	Strainer Assembly	024269-001	024269-001
6	Waste Tailpiece	024268	027543-001
7	Waste Trap Assembly	---	027542-001
8	Top Assembly	028833-005	028832-005
9	Support Plate	024337-001	024248
10	Gasket	028706-009	028706-009
11	Inlet Tube & Cartridge Holder	029915-001	029915-002
12	Hex Nut Cartridge Holder	029968-001	029968-001
13	Cartridge Holder Nut-Ring	029969-001	029969-001
14	Cartridge	029967-002	029967-002
15	Push Button - Stainless	024817	024817
16	Bezel -Stainless	030322-001	030322-001
17	Hex Nut (3 Req'd)	020203	020203
NOT SHOWN			
	Strainer, In-Line	033264-003	033264-003

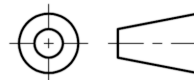
Model F110PM



NOTES:

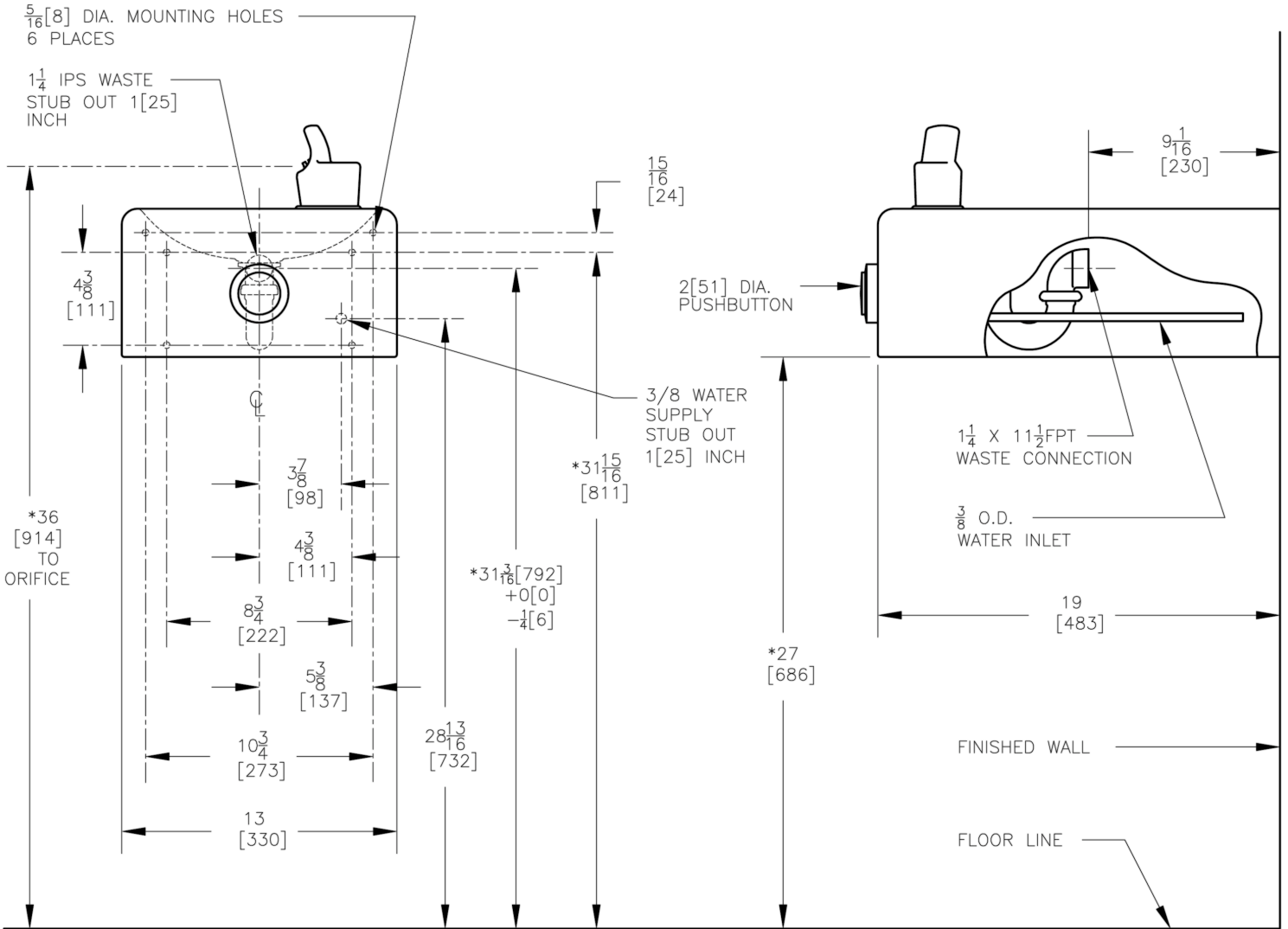
1. TRAP AND STOP VALVE NOT FURNISHED.
- *2. RECOMMENDED ADULT HEIGHT INSTALLATION SHOWN. ADJUST VERTICAL DIMENSIONS AS REQ'D TO COMPLY WITH FEDERAL, STATE, AND LOCAL CODES.
3. ALL DIMENSIONS ARE IN INCHES. DIMENSIONS IN BRACKETS [] ARE IN MILLIMETERS.
4. THE FOLLOWING STATES REQUIRE A LICENSED PLUMBER TO INSTALL FOUNTAIN; AR, GA, MA, MI, OK, RI, SC, SD, TX, VT AND WI. CA, KS, MN, NM, AND OR ALLOW FOR A STATE REGISTERED INSTALLER OR CONTRACTOR AS WELL. STATE AND LOCAL PLUMBING CODES MAY PROHIBIT THE USE OF SADDLE TAPPING VALVES FOR WATER LINE CONNECTION IN SOME APPLICATIONS. ALL CONNECTIONS MUST CONFORM TO APPLICABLE PLUMBING CODES.

THIRD ANGLE PROJECTION



ROUGHING-IN
 AND
 DIMENSIONAL DRAWING

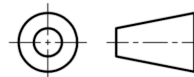
Model F140PM



NOTES:

1. STOP VALVE NOT FURNISHED.
- *2. RECOMMENDED ADULT HEIGHT INSTALLATION SHOWN. ADJUST VERTICAL DIMENSIONS AS REQ'D TO COMPLY WITH FEDERAL, STATE, AND LOCAL CODES.
3. ALL DIMENSIONS ARE IN INCHES. DIMENSIONS IN BRACKETS [] ARE IN MILLIMETERS.
4. THE FOLLOWING STATES REQUIRE A LICENSED PLUMBER TO INSTALL FOUNTAIN; AR, GA, MA, MI, OK, RI, SC, SD, TX, VT AND WI. CA, KS, MN, NM, AND OR ALLOW FOR A STATE REGISTERED INSTALLER OR CONTRACTOR AS WELL. STATE AND LOCAL PLUMBING CODES MAY PROHIBIT THE USE OF SADDLE TAPPING VALVES FOR WATER LINE CONNECTION IN SOME APPLICATIONS. ALL CONNECTIONS MUST CONFORM TO APPLICABLE PLUMBING CODES.

THIRD ANGLE PROJECTION



ROUGHING-IN
AND
DIMENSIONAL DRAWING