

**WALL FOUNTAIN MODEL
OASIS® FLF221PM
SUNROC DF-5511
INSTRUCTIONS**

1. INSPECTION

Inspect the carton and cuspidor for evidence of rough handling and concealed damage. Damage claims should be filed with the carrier.

2. TO PUT CUSPIDOR INTO SERVICE

- a) **Note:** The following states require a licensed plumber to install cooler; AR, GA, MA, MI, OK, RI, SC, SD, TX, VT, and WI.
CA, KS, MN, NM and OR allow for state-registered installer or contractor as well. State and local plumbing codes may prohibit the use of saddle tapping valves for water line connection in some applications. All connections must conform to applicable plumbing codes.
- b) Install wall sleeve. Shim so sleeve is square and plumb. Anchor securely with masonry screws or toggle bolts. Remove the top spreader and discard.
- c) Install waste trap (not furnished) to drain line and water shutoff valve (not furnished) to supply line.
- d) Hang top on wall sleeve with the return flange of the top behind the top flange of the wall sleeve as shown on the dimensional drawing. Fasten bottom of cuspidor top in place using two nuts and bolts provided.
- e) Insert strainer assembly through the drain hole in the top. Slide the 2" diameter gasket over the end of the strainer. Assemble the waste arm into the slip joint of the trap and onto the strainer. Draw-up tight to seat gasket. Connect water supply line to water inlet fitting.
- f) Turn on water supply to cuspidor. Check for leaks. Check flow from flush nozzle. Flow may be raised or lowered by adjusting needle valve in water line at bottom of cuspidor.
- g) Install bottom front panel by placing top flange of panel behind bottom flange of cooler top and bottom flange of panel behind bottom flange of wall sleeve. Secure panel with two screws provided.

WARNING

The warranty and the Underwriters' Laboratory Listing for this machine are automatically voided if this machine is altered, modified, or combined with any other machine or device. Alteration or modification of this machine may cause serious flooding and/or hazardous electrical shock or fire.

EXCEPT AS SET FORTH HEREIN, THE MANUFACTURER MAKES NO OTHER WARRANTY, GUARANTEE OR AGREEMENT EXPRESSED, IMPLIED OR STATUTORY, INCLUDING ANY IMPLIED WARRANTY OR MERCHANTABILITY OR FITNESS FOR A PARTICULAR PURPOSE.



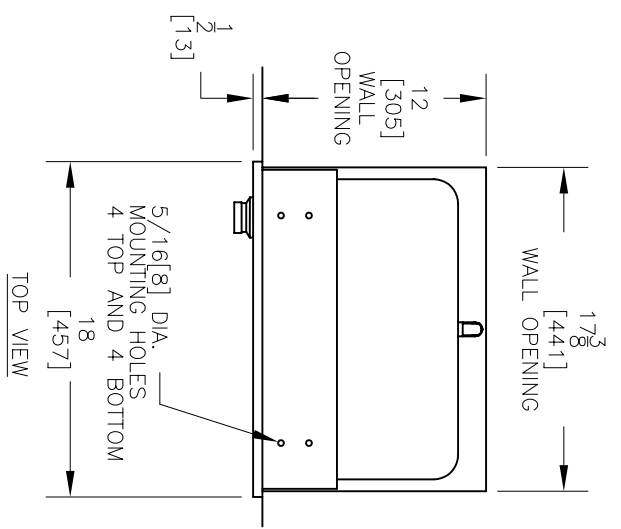
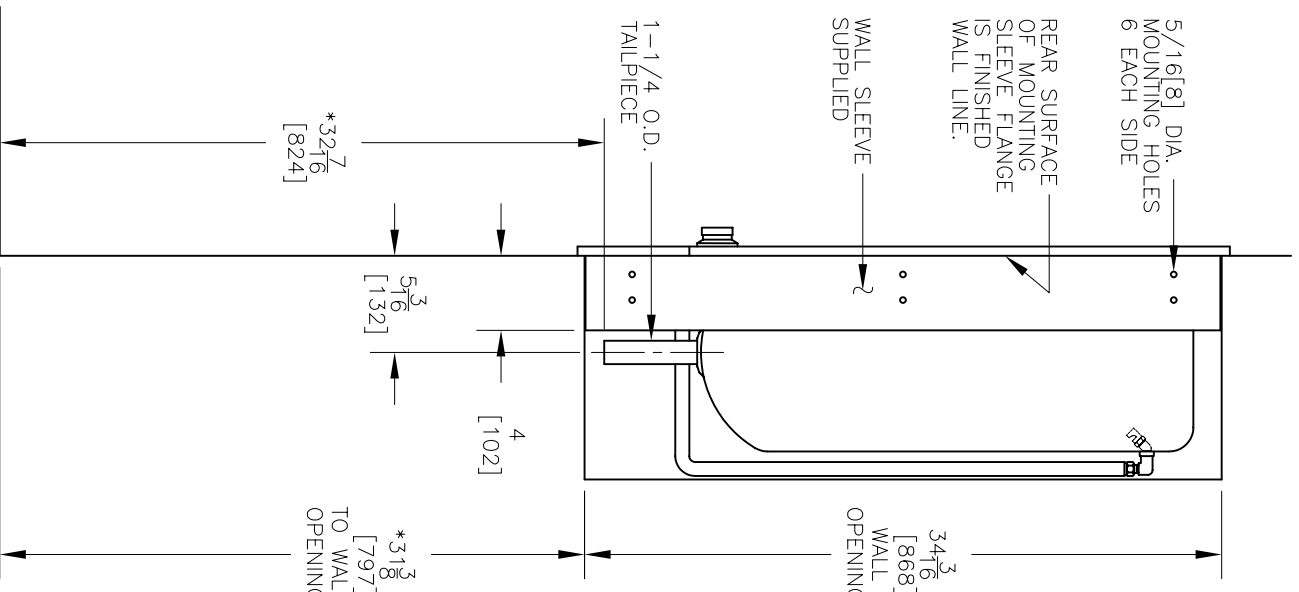
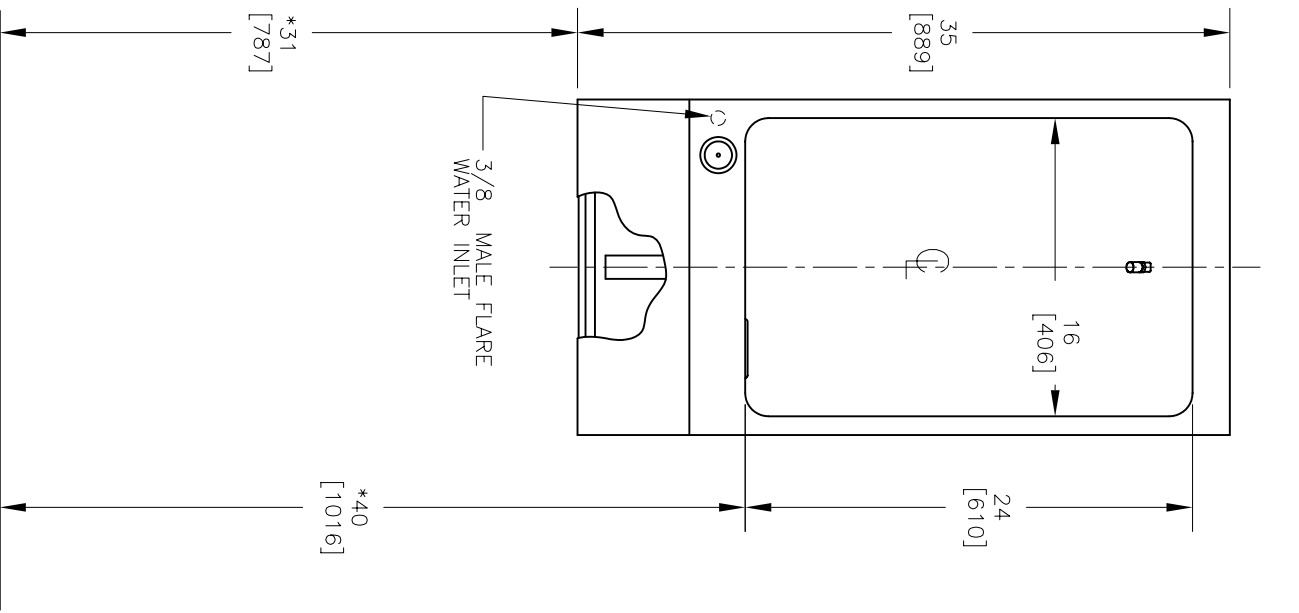
OASIS INTERNATIONAL

222 East Campus View Blvd. • Columbus, OH 43235 U.S.A.

1-800-950-3226

www.oasiscoolers.com

WALL FOUNTAIN MODELS
OASIS® FLF21PM, SUNROC DF-5511



NOTES:

1. TRAP AND STOP VALVE NOT FURNISHED.
- *2. RECOMMENDED ADULT HEIGHT INSTALLATION SHOWN. ADJUST VERTICAL DIMENSIONS AS REQ'D TO COMPLY WITH FEDERAL, STATE, AND LOCAL CODES.
3. ALL DIMENSIONS ARE IN INCHES. DIMENSIONS IN BRACKETS [] ARE IN MILLIMETERS.

THIRD ANGLE PROJECTION

ROUGHING-IN AND DIMENSIONAL DRAWING